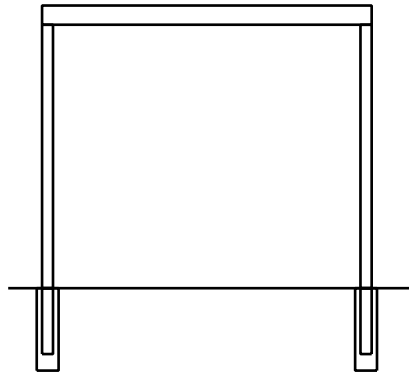
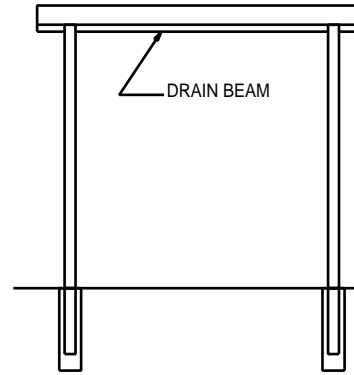


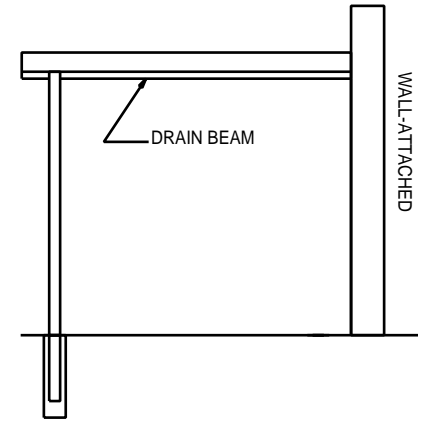
BUS CANOPY



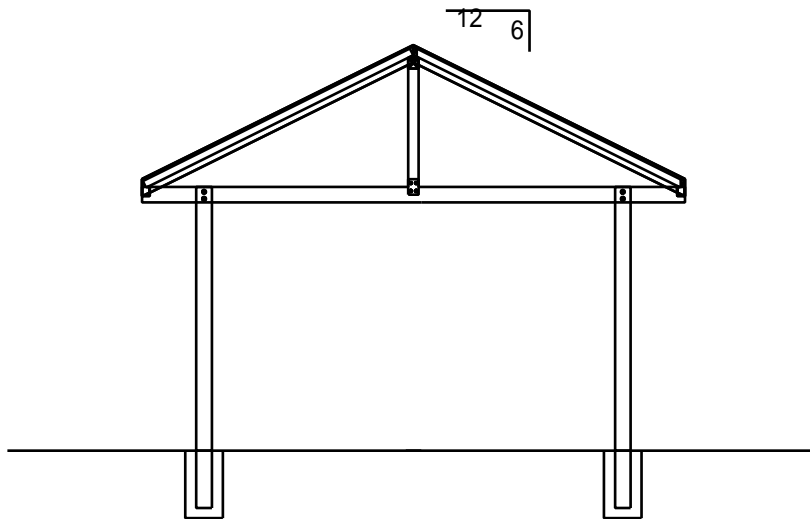
POST UNDER GUTTER
(NO OVERHANG)



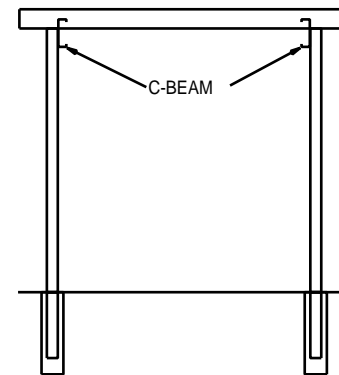
DOUBLE OVERHANG
(WITH DRAIN BEAM)



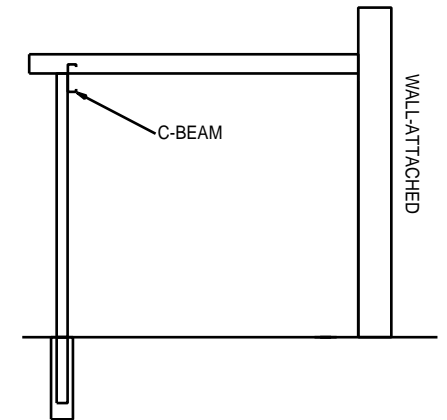
SINGLE OVERHANG
(WITH DRAIN BEAM)



GABLE CANOPY



DOUBLE OVERHANG
(WITH C-BEAM)



SINGLE OVERHANG
(WITH C-BEAM)