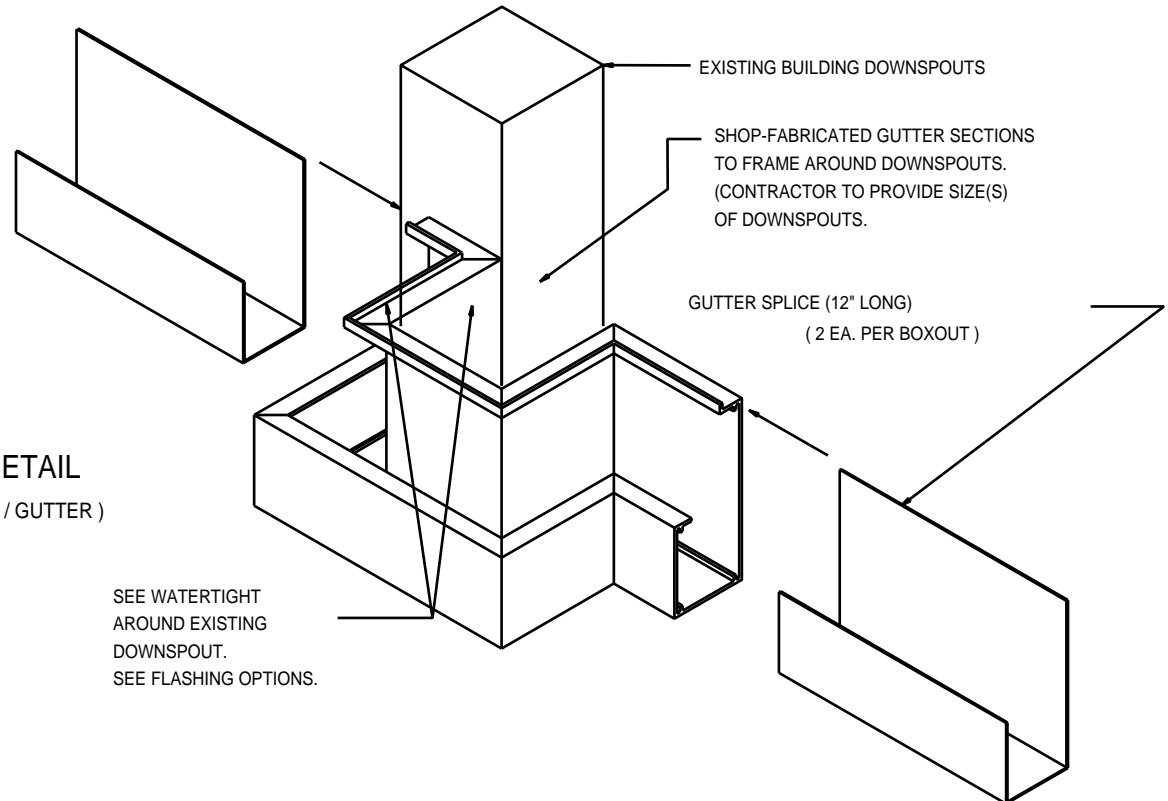


BOX-OUT DETAIL
(7" x 3" FASCIA / GUTTER)



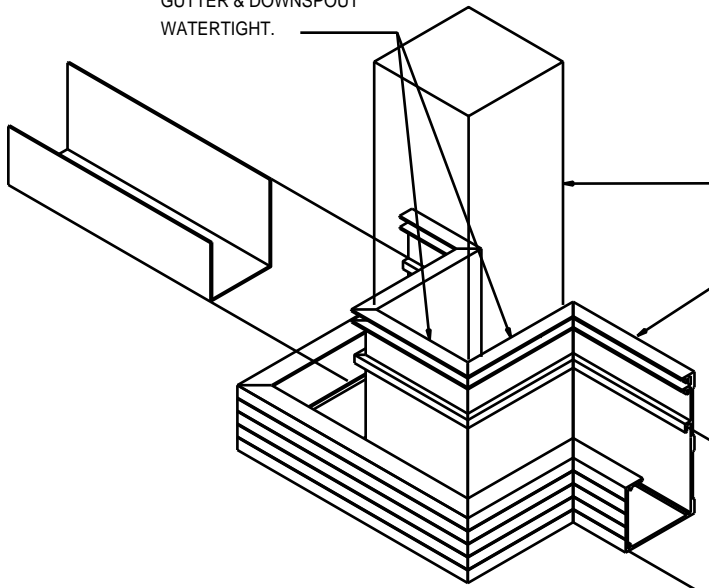
EXISTING BUILDING DOWNSPOUTS

SHOP-FABRICATED GUTTER SECTIONS
TO FRAME AROUND DOWNSPOUTS.
(CONTRACTOR TO PROVIDE SIZE(S)
OF DOWNSPOUTS.)

GUTTER SPLICE (12" LONG)
(2 EA. PER BOXOUT)

SEE WATERTIGHT
AROUND EXISTING
DOWNSPOUT.
SEE FLASHING OPTIONS.

INSTALLER TO SEAL
JOINT BETWEEN
GUTTER & DOWNSPOUT
WATERTIGHT.



EXISTING BUILDING DOWNSPOUTS

SHOP-FABRICATED GUTTER SECTIONS
TO FRAME AROUND DOWNSPOUTS.
(CONTRACTOR TO PROVIDE SIZE(S)
OF DOWNSPOUTS.)

5-1/2" X 3" GUTTER SPLICE
(1 EACH SIDE OF BOX-OUT)

BOX-OUT DETAIL
(5-1/2" x 3" FASCIA / GUTTER)